



IATF 16949:2016

ISO 9001:2015

ZHUHAI ZHENG YUAN OPTOELECTRONIC TECHNOLOGY CO., LTD

Tel: 86-756-6831 079

Fax: 86-756-6831 397

www.luxfighter.com

Add: No.5 Pingxi 7th RD, Nanping Industrial Park, Zhuhai, Guangdong, China.



LUXFIGHTER[®]
Fighting for LUX



**AUTOMOTIVE
LED LIGHTS**



正远智造中心

ZHENGYUAN INTELLIGENT MANUFACTURING CENTER



COMPANY PROFILE

LUXFIGHTER is a USA and China registered brand of Zhuhai Zhengyuan Optoelectronic Technology Co., Ltd. We are the China Automotive led lights manufacturer since 2007.

Base on original halogen bulb, our R&D team specializing in developing smallest size automotive led lights with maximum power. Luxfighter led lights have been fully tested with precise light cutting and high LUX in perfect beam pattern. Our factory has achieved 200+ Invention and Designing Patents. We are China High-Tech Enterprise since 2017.

Our factory has passed IATF 16949 and ISO9001 since 2015. Most of our products has passed FCC, CE, UL, FDA. OEM ODM orders are welcome.

In 2010, passed EMARKS

In 2013, passed IATF/TS16949 system certification

In 2016, became Top 10 LED headlights in China

In 2017, awarded with "national high-tech enterprise"

In 2022, awarded Specialising Innovation & Refinement Creative

Enterprise issued by Zhuhai Government



Q66

PREMIUM SERIES

50W

Power

5500LM

Luminous Flux

DC12-16V

Working Voltage



LED brand & type
Customized auto
grade LED chips

Operating life
≥50000H

Waterproof level
IP65

Operating temperature
-40°C~100°C

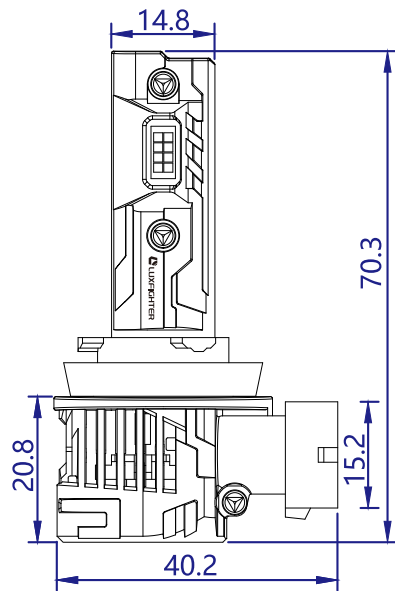
Available bulb types

Single beam:

H8/H9/H11,9005,9006,9012

Dual beam:

H4,H13,9004,9007



unit:mm

Q36

LIMITEDPRO SERIES

30W

→ Power

3000LM

→ Luminous Flux

DC12-16V

→ Working Voltage



LED brand & type
Customized auto
grade LED chips

Operating life
≥50000H

Waterproof level
IP65

Operating temperature
-40°C~100°C

Available bulb types

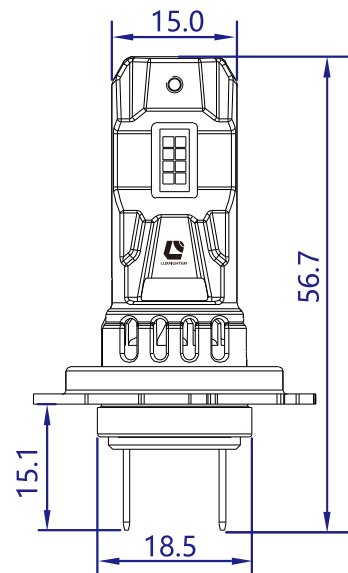
Single beam:

H1,H3,H7,H8/H9/H11,9005,9006,9012,880

881,5202,P13W,PSX24W,PSX26W

Dual beam:

H4,H13,9004,9007



unit:mm

Q36

LIMITEDPRO SERIES

50W

→ Power/set

5000LM

→ Luminous Flux

DC24-32V

→ Working Voltage



**FOR
TRUCK**

LED brand & type
Customized auto
grade LED chips

Operating life
≥50000H

Waterproof level
IP65

Operating temperature
-40°C~100°C

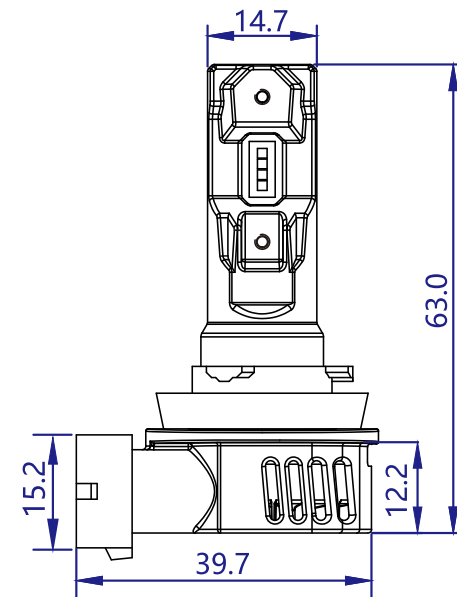
Available bulb types

Single beam:

H1,H3,H7,H8/H9/H11,9005,9006,9012

Dual beam:

H4,H13,9004,9007



unit:mm

Q26

FRONNER SERIES

40W

→ Power

3600LM

→ Luminous Flux

DC12-16V

→ Working Voltage



LED brand & type
Customized auto
grade LED chips

Operating life
≥50000H

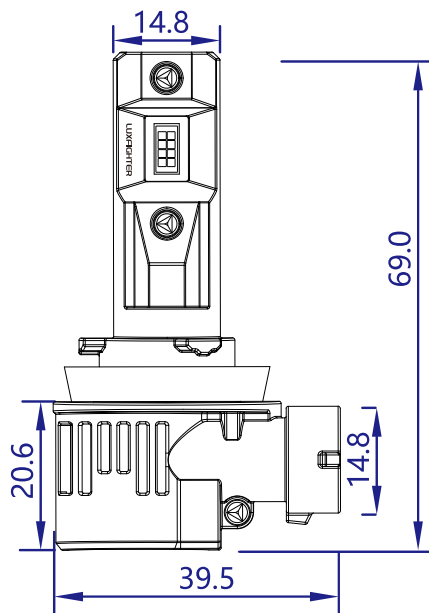
Waterproof level
IP65

Operating temperature
-40°C~100°C

Available bulb types

Single beam:

H7,H8/H9/H11,9005,9006



unit:mm

Q16

FRONNER SERIES

50W

→ Power

4000LM

→ Luminous Flux

DC11-30V

→ Working Voltage



LED brand & type
Customized auto
grade LED chips

Operating life
≥50000H

Waterproof level
IP65

Operating temperature
-40°C~100°C

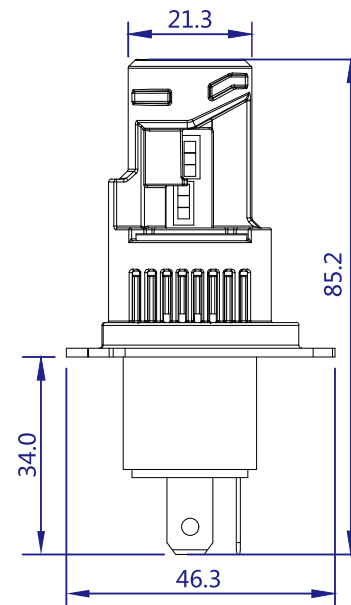
Available bulb types

Single beam:

H1,H3,H7,H8/H9/H11,9005,9006,9012,880
881,5202,P13W,PSX24W,PSX26W

Dual beam:

H4,H13,9004,9007



unit:mm

Q15

BASEFIT SERIES

20W

→ Power

2200LM

→ Luminous Flux

DC12-16V

→ Working Voltage



LED brand & type
Customized auto
grade LED chips

Operating life
≥50000H

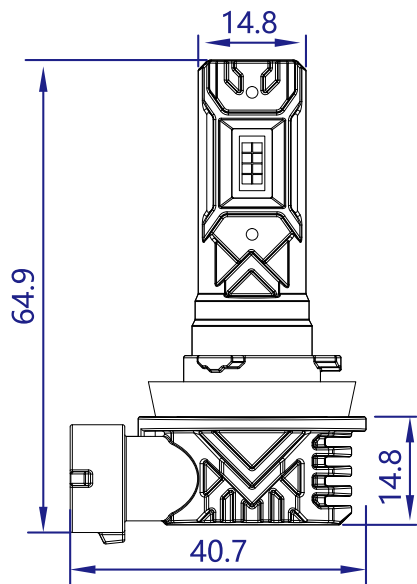
Waterproof level
IP65

Operating temperature
-40°C~100°C

Available bulb types

Single beam:

H8/H9/H11,9005,9006



unit:mm

Q12

BASEFIT SERIES

20W

→ Power

1700LM

→ Luminous Flux

DC12-16V

→ Working Voltage



LED brand & type
Customized auto
grade LED chips

Operating life
≥50000H

Waterproof level
IP65

Operating temperature
-40°C~100°C

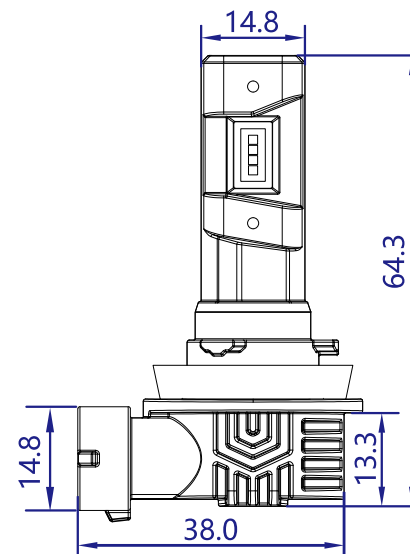
Available bulb types

Single beam:

H1,H7,H8/H9/H11,9005,9006,

Dual beam:

H4,H13,9004,9007



unit:mm

QIO

BASEFIT SERIES

20W

→ Power

3200LM

→ Luminous Flux

DC11-30V

→ Working Voltage



LED brand & type
Customized auto
grade LED chips

Operating life
≥50000H

Waterproof level
IP65

Operating temperature
-40°C~100°C

Available bulb types

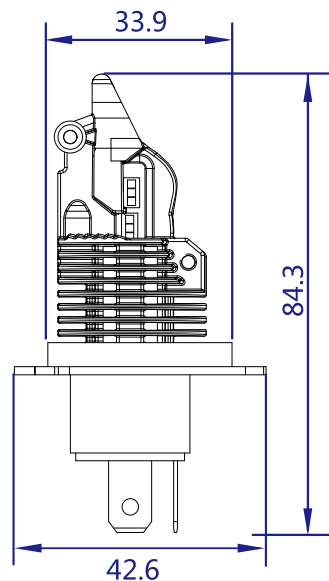
Single beam:

H1,H3,H7,H8/H9/H11,9005,9006,9012,880

881,5202,P13W,PSX24W,PSX26W

Dual beam:

H4,H13,9004,9007



unit:mm

D series

FRONNER SERIES

45W

→ Power

6000LM

→ Luminous Flux

DC12V

→ Working Voltage



LED brand & type
Customized auto
grade LED chips

Operating life
≥50000H

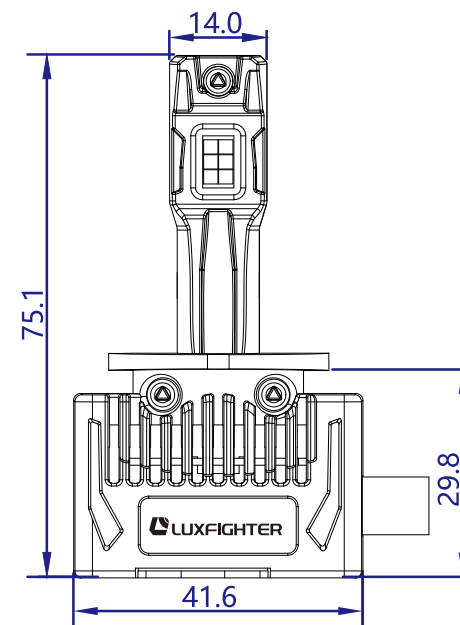
Waterproof level
IP65

Operating temperature
-40°C~100°C

Available bulb types

Single beam:

D1,D2,D3,D4



unit:mm

R30

PREMIUM SERIES

90W

→ Power

8500LM

→ Luminous Flux

DC11-30V

→ Working Voltage



LED brand & type
Customized auto
grade LED chips

Operating life
≥50000H

Waterproof level
IP65

Operating temperature
-40°C~100°C

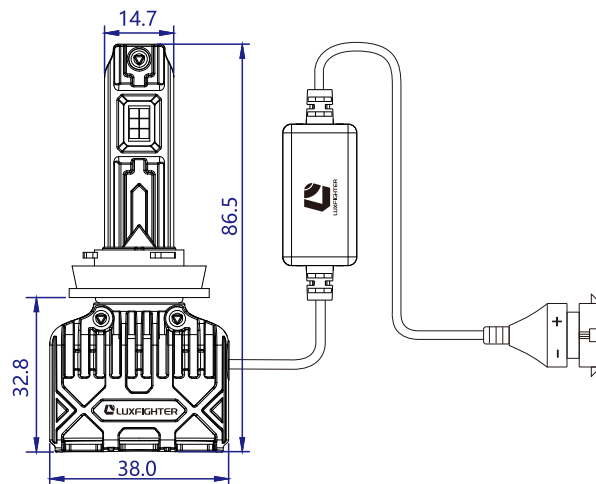
Available bulb types

Single beam:

H1,H3,H7,H8/H9/H11,9005,9006,9012,880,881
5202,P13W,PSX24W,PSX26W,D1/D2/D3/D4

Dual beam:

H4,H13,9004,9007



unit:mm

R20

GENESIS SERIES

60W

→ Power

7000LM

→ Luminous Flux

DC12-16V

→ Working Voltage



LED brand & type
Customized auto
grade LED chips

Operating life
≥50000H

Waterproof level
IP65

Operating temperature
-40°C~100°C

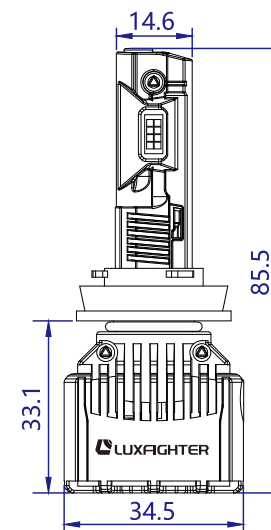
Available bulb types

Single beam:

H1,H7,H8/H9/H11,9005,9006,9012,5202
P13W,PSX24W,PSX26W

Dual beam:

H4,H13,9004,9007



unit:mm

R19

PREMIUM SERIES

90W

→ Power

8500LM

→ Luminous Flux

DC11-30V

→ Working Voltage



LED brand & type
Customized auto
grade LED chips

Operating life
≥50000H

Waterproof level
IP65

Operating temperature
-40°C~100°C

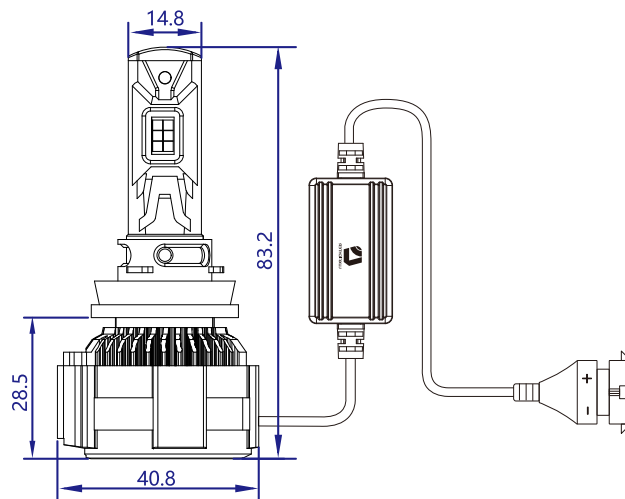
Available bulb types

Single beam:

H7, H8/H9/H11, 9005, 9006, 9012, 5202, P13W,
PSX24W, PSX26W

Dual beam:

H4



unit:mm

P16

GENESIS SERIES

50W

→ Power

4800LM

→ Luminous Flux

DC11-30V

→ Working Voltage



LED brand & type
Customized auto
grade LED chips

Operating life
≥50000H

Waterproof level
IP65

Operating temperature
-40°C~100°C

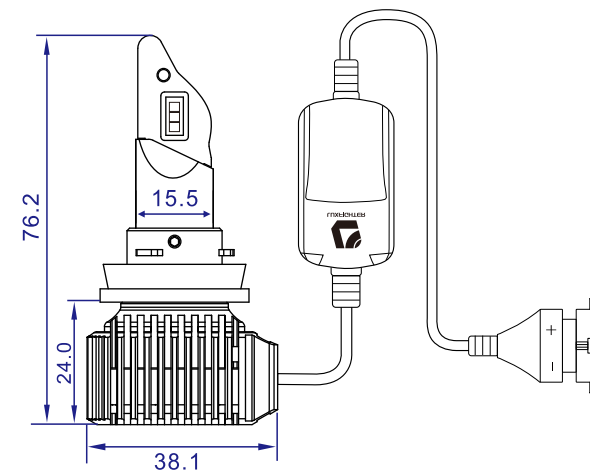
Available bulb types

Single beam:

H1, H3, H7, H8/H9/H11, 9005, 9006, 9012, 880, 881
D1/D2/D3/D4, 5202, P13W, PSX24W, PSX26W

Dual beam:

H4, H13, 9004, 9007



unit:mm

P19

PREMIUM SERIES

65W

→ Power

6500LM

→ Luminous Flux

DC11-30V

→ Working Voltage



LED brand & type
Customized auto
grade LED chips

Operating life
≥50000H

Waterproof level
IP65

Operating temperature
-40°C~100°C

Available bulb types

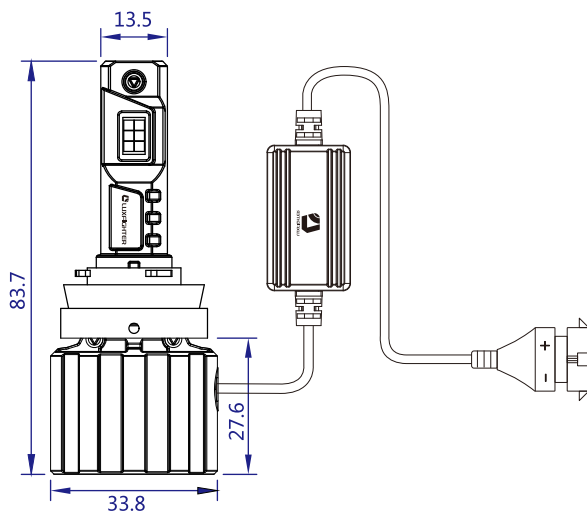
Single beam:

H7,H8/H9/H11,9005,9006,9012,5202,P13W

D1/D2/D3/D4,PSX24W,PSX26W

Dual beam:

H4,H13,9004,9007



unit:mm

V6

FRONNER SERIES

35W

→ Power

4800LM

→ Luminous Flux

DC11-30V

→ Working Voltage



LED brand & type
Customized auto
grade LED chips

Operating life
≥50000H

Waterproof level
IP65

Operating temperature
-40°C~100°C

Available bulb types

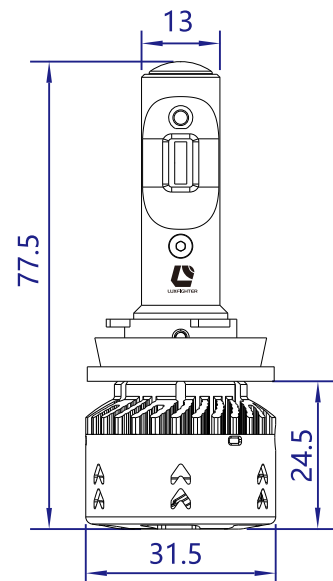
Single beam:

H1,H3,H7,H8/H9/H11,9005,9006,9012,880,881

5202,P13W,PSX24W,PSX26W,D1/D2/D3/D4

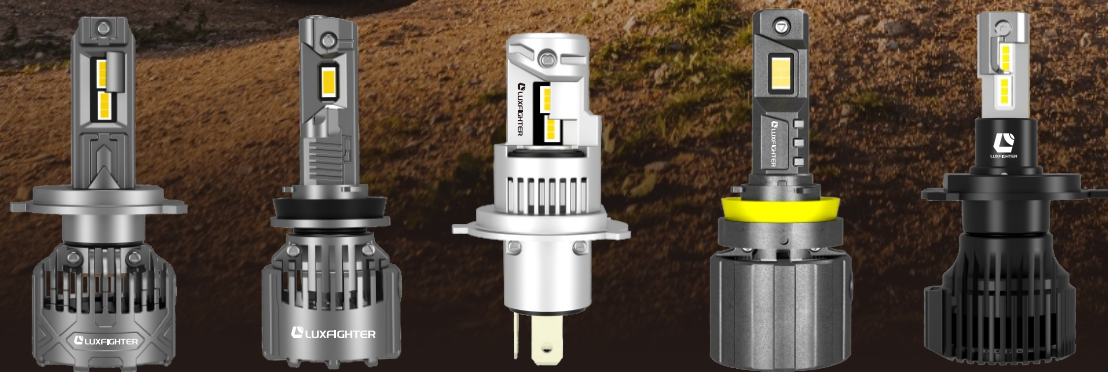
Dual beam:

H4,H13,H15,9004,9007



unit:mm

LUXFIGHTER[®]
Fighting for LUX



LUX FIGHTER



LinkedIn



Twitter



Facebook



Instagram

Luxfighter Social Medias